

TL12 SERIES ILLUMINATED TACTILE SWITCH



活力宽屏，照光均匀

Vibrant large cap, super smooth illumination

Features

Sound clearly&excellent contact feeling
Super bright LED, smooth illuminating
Choice of colored caps
Choice of painted colored caps
Laser marking service

产品特点

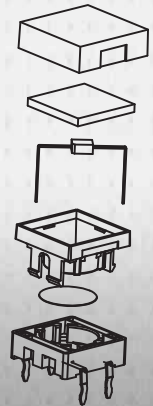
声音干脆&手感绝佳
超高亮LED照明，耐久鲜明
克制化帽盖选择，可提供符号多彩转印服务

Applications

Studio equipment
Audio/video products
Broadcast system
Instrumentation
Telecommunications...etc

使用范围

音响、影像等录音室器材设备
广播系统、电信仪器设备

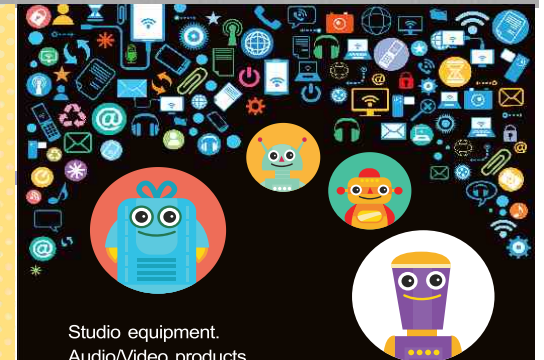
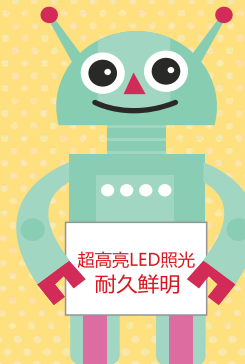


鍍金雙接點、穩定耐用



Twin contacts with gold plating,
assuring high reliability and long life cycles

超高亮LED照明，耐久鲜明
Long electrical life cycles.



Studio equipment,
Audio/Video products,
Broadcast system,
Instrumentation,
Telecommunications ...etc.

音响、影像等录音室器材设备、广播系统、
电信仪器设备


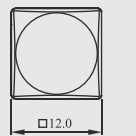
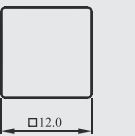
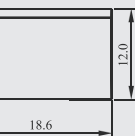
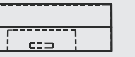
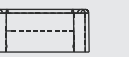
General Specifications: (产品规格)

Contact Rating: 50mA 12V DC
Contact Resistance: 100mΩ Max.(initial)
Insulation Resistance: 100MΩ Min. 500V DC
Dielectric Strength: Breakdown is not allowable; 250V AC for 1 minute
Actuation Force: 250±50gf
Total Travel: 0.4±0.15mm
Operating Life: 500,000 cycles Min
Operating Temperature: -20°C to 70°C

Material: (产品材质)

Cover: Polycarbonate(PC)
Actuator: Polyamide(PA)+GF
Base Frame: Polyamide(PA)+GF
Terminal: Brass with gold plating

Cap Choices

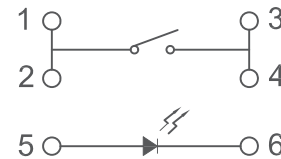
	S4A Type	S4B Type	S4C Type	S4D Type	S4E Type	R Type	R1 Type	R2 Type
Shape								
Dimension	 □12.0	 □12.0	 □12.0	 □12.0	 18.6 x 12.0	 ∅4.2	 26.3 x 13.4	 13.0
								

HOW TO ORDER

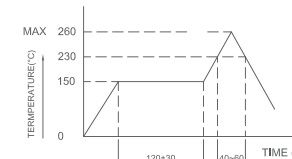
SERIES	FRAME TYPE	PLATE COLOR	CAP TYPE	CAP COLOR	LED COLOR	LED BRIGHTNESS 1	LED COLOR 2	LED BRIGHTNESS 2	TERMINAL	CAP SYMBOL
TL12	S	W	S	T	R	1	G	2		
	S=SQUARE R=ROUND	W=WHITE B=BLUE G=GREEN R=RED Y=YELLOW N=NONE	S=SQUARE S1=S1 sq S2=S2 sq S3=S3 sq R=ROUND N=NONE S4=S4sq S5=S5sq S6=S6sq S7=S7sq	T=TRANSPARENT S=SILVER N=NONE	B=BLUE G=GREEN R=RED Y=YELLOW W=WHITE N=NONE	1=HIGH 2=STANDARD N=NONE	B=BLUE G=GREEN R=RED Y=YELLOW W=WHITE N=NONE	1=HIGH 2=STANDARD N=NONE	--P.C.B TYPE S=SMT TYPE	

CAP Symbol: Please refer to cap selection for all available symbols on cap surface, and any customization is welcomed

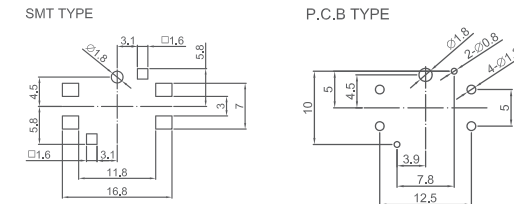
CIRCUIT



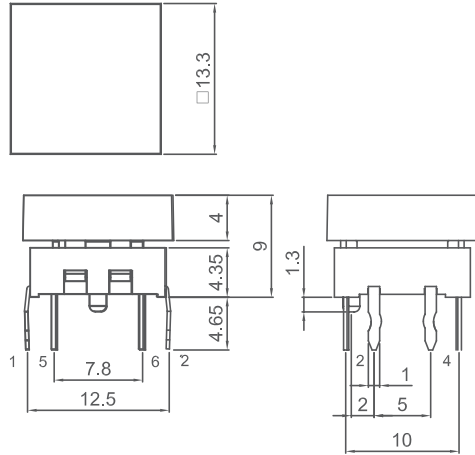
REFLOW SOLDERING



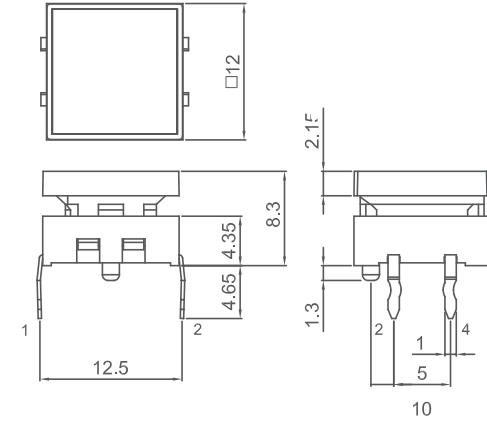
P.C.B LAYOUT



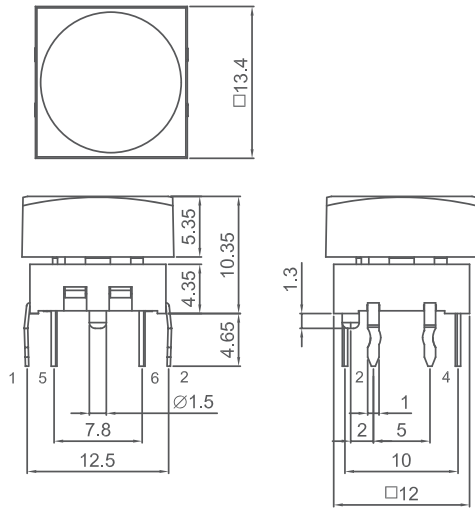
TL12-SWST-G1NN :.



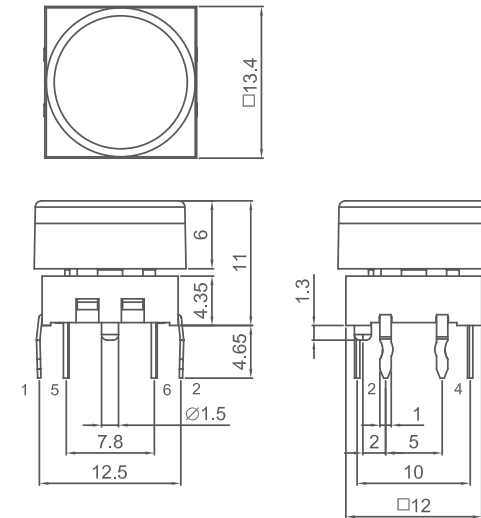
TL12-SWNN-NNNN :.



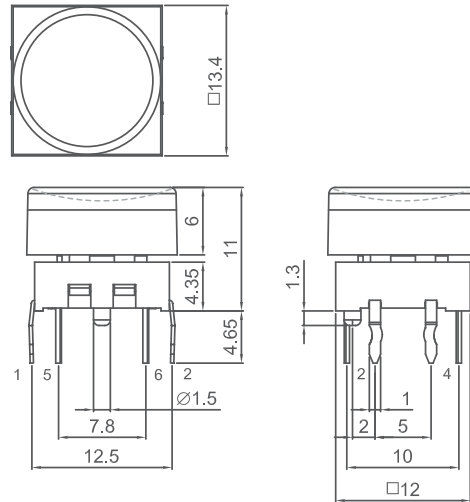
TL12-SWS1T-Y1NN :.



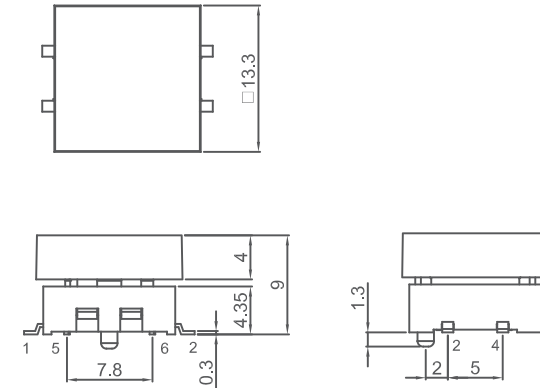
TL12-SWS2T-R1NN :.



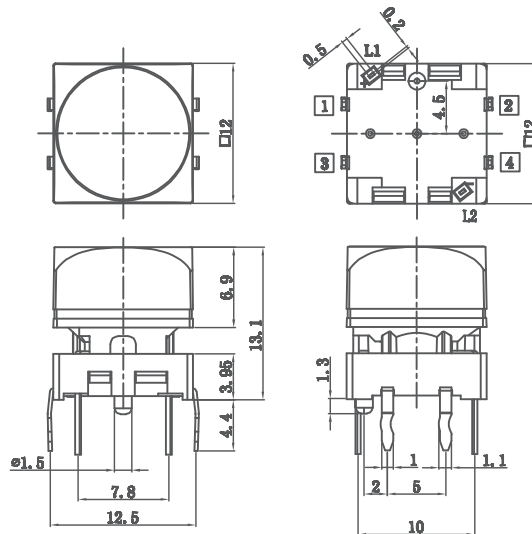
TL12-SWS3T-B1NN :.



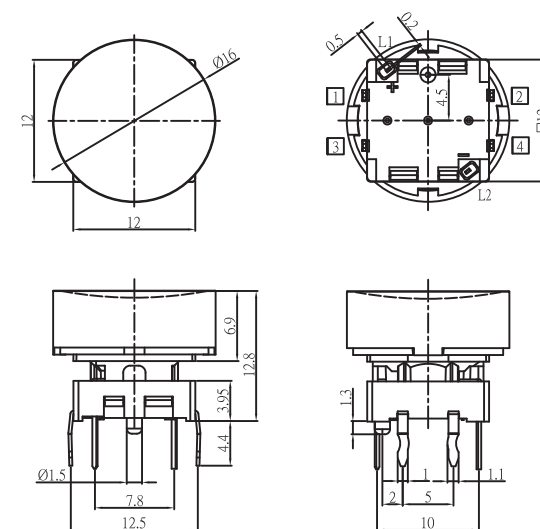
TL12-SWST-R1NNS :.



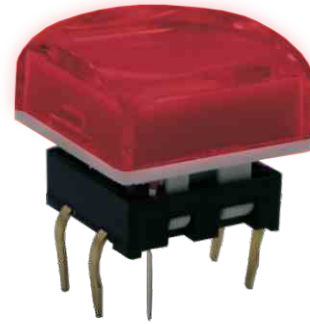
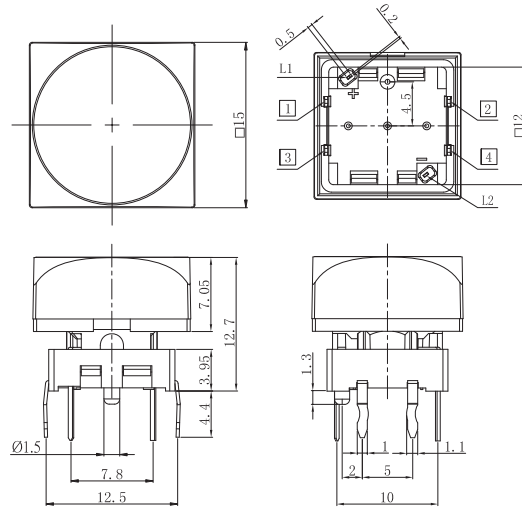
TL12-SWS4T-R1NN :.



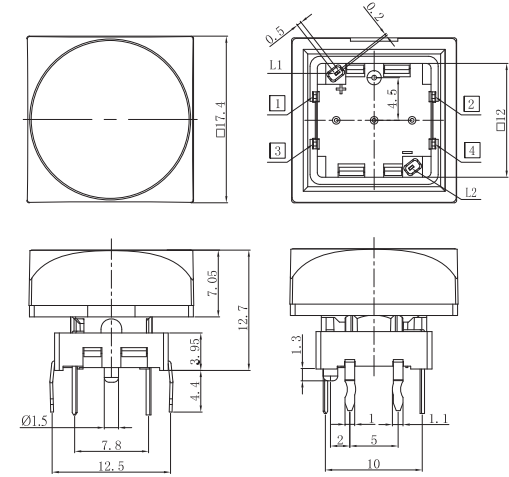
TL12-RWR4T-R1NN :.



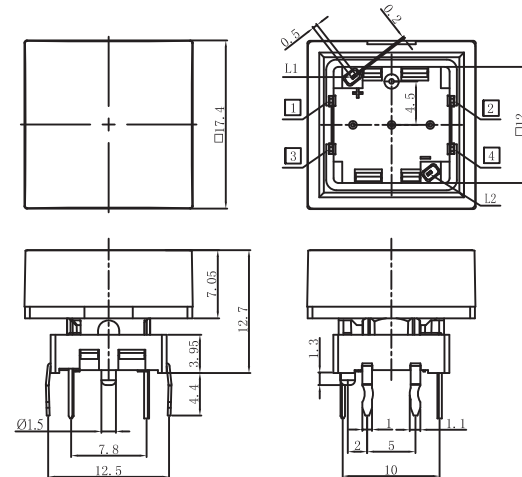
TL12-SWS5T-B1NN



TL12-SWS6T-R1NN



TL12-SWS6AT-R1NN



TL12-SWS7T-G1NN

