

**Features:**

- Panel mounting.
- Durable, vivid LED illumination.
- Choice of painted colored caps.
- Laser marking service.
- Available for wires soldering to terminal.

**产品特点**

- 安装方便，节省空间
- LED照明颜色丰富，耐久鲜明
- 客制化帽盖选择，镭射雕刻服务
- 可提供焊接 线材整套方案

**Applications**

- Automotive industry.
- Office appliance.
- Communication equipments.
- Racing helmet...etc.



小巧精品，安静无声

Exquisite Fine Quality, Silent Operation

**PLE SERIES ILLUMINATED PUSH BUTTON**

**Water proof IP67 sealed  
Panel mount with cable and connector**

**LED照明颜色多变，耐久鲜明**

**Various and durable LED colors**

超长距离，高信耐接触，无杂讯  
Long distance,  
high contact resistance, no noise

**无杂讯**

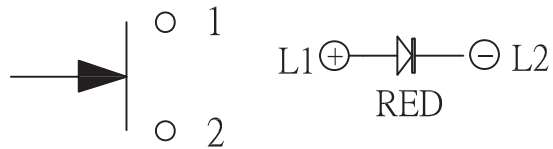
**镀金接点,稳定耐用**

**Gold plated pins  
more stable and durable**

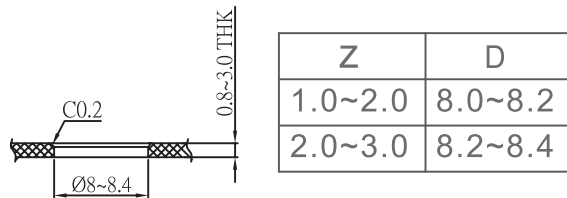
## General Specifications: (产品规格)

Function: Momentary Type, SPST with LED
Contact Rating: 0. 2A 30V DC
Contact Resistance: 50mΩ Max. 1.5V DC/100mA, by method of voltage drop
Insulation Resistance: 100MΩ Min 500V DC
Dielectric Strength: Breakdown is not allowable; 500V AC for 1 minute
Actuation Force: 250±100gf
Tot al Travel: 2.0mm±0.3mm
Operating life: 50, 000 cycles
Operating Temperature: -20℃ to 70℃

## LED CIRCUIT DIAGRAM



## PANEL CUT OUT

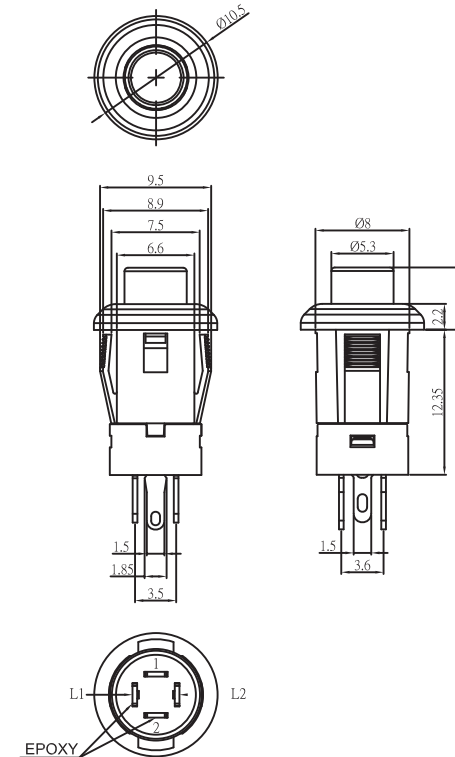


## HOW TO ORDER

SERIES	OPERATION	POLE	TERMINAL	LED COLOR	LED BRIGHTNESS	LED COLOR	LED BRIGHTNESS	CAP SYMBOL
PLE	N	1	W	R	1	N	N	P5
	N=NON-LOCK	1=1 POLE	W=WIRE TYPE	B=BLUE G=GREEN R=RED Y=YELLOW W=WHITE N=NONE	1=HIGH 2=STANDARD N=NONE	B=BLUE G=GREEN R=RED Y=YELLOW W=WHITE N=NONE	1=HIGH 2=STANDARD N=NONE	

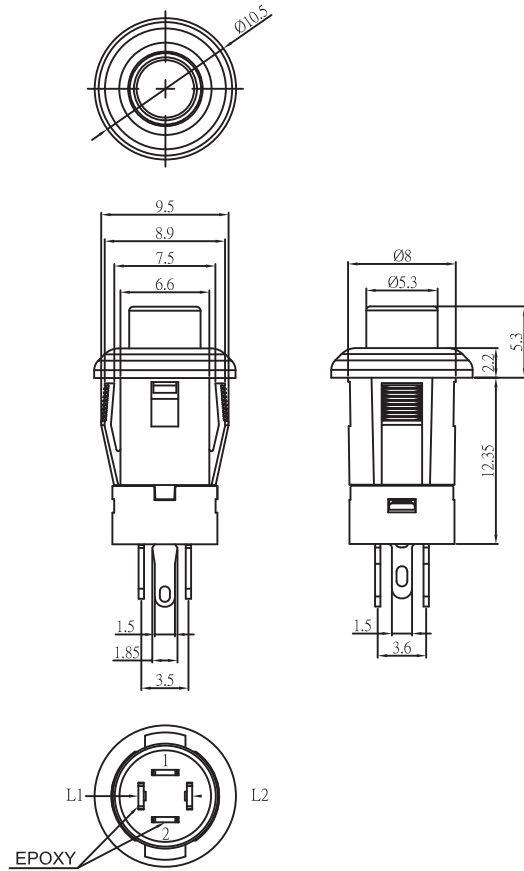
CAP Symbol: Please refer to cap selection for all available symbols on cap surface, and any customization is welcomed

## PLE-N1W-B1NN





## PLE-N1W-G1NN



## PLE-N1W-R1NN

