



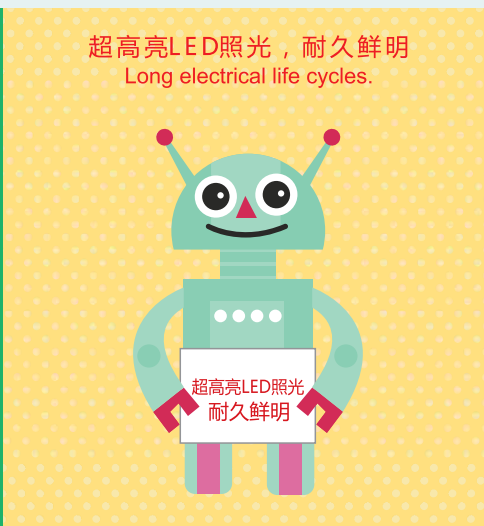
Features:
 Long electrical life cycles.
 Choice of multiple colored caps.
 Choice of painted colored caps.
 Laser marking service.

产品特点
 提供带触感型及无触感型两种选择
 超高亮LED照光，耐久鲜明
 超长距离，高信耐接触，无杂讯
 客制化帽盖选择，喷漆色盖&镭射雕刻服务

Applications
 Studio equipment.
 Audio/Video products,
 Broadcast system,
 Instrumentation.,
 Telecommunications ...etc.

使用范围
 音响、影像等录音室器材设备
 广播系统、电信仪器设备

绝佳顿感、滑顺均匀
 Tactile or non-tactile feel, perfectly poise



General Specifications: (产品规格)

Function:OFF-<ON>For Momentary Type,SPST
Contact Rating: 100mA 12V DC
Contact Resistance: 200mΩ Max
Insulation Resistance: 100MΩ Min.500 V DC
Dielectric Strength:Breakdown is not allowable; 500V AC for 1 minute
Actuation Force: 250 ± 100gf
Total Travel:4.5mm ± 0.2mm
Operating Life: 2,000,000 cycles
Operating Temperature: -20° C to 70° C

Material: (产品材质)

Cover: Polycarbonate(PC)
Actuator:Polyoxymethylene(POM)
Base frame:Polyamide(PA)+GF
Terminal:Brass with gold plating
Moving Contact:Phosphor bronze with gold plating

LED Specifications:

Color	V		Recommended Operating Current	VF	
				Nom	Max
Red	DC 5V	20mA	20mA	1.7V	2.4V
Green	DC 5V	20mA	20mA	1.9V	2.4V
Yellow	DC 5V	20mA	20mA	1.9V	2.4V
Blue	DC 5V	20mA	20mA	3.0V	3.6V
White	DC 5V	20mA	20mA	3.0V	3.6V

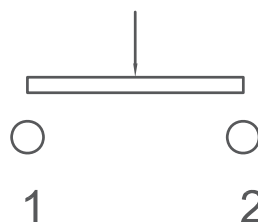
HOW TO ORDER

SERIES	OPERATION	POLE	ACTUATION TYPE	LED COLOR	LED COLOR	CAP TYPE	CAP COLOR	PLATE COLOR	CAP SYMBOL
PLC	N	1	T	R	N	A	T	W	A
	N=NON-LOCK	1=1 POLE	T=TACTILE TYPE N=NON TACTILE	B=BLUE G=GREEN R=RED Y=YELLOW F=FULL COLOR F1=FULL COLOR N=NONE	B=BLUE G=GREEN R=RED Y=YELLOW F=FULL COLOR F1=FULL COLOR N=NONE	A=12.0mm sq A1=12.0mm sq B=15.0mm sq B1=15.0mm sq C=17.4mm sq C1=17.4mm sq D=17.4x34.8 mmsq	T=TRANSPARENT R=RED G=GREEN B=BLUE Y=YELLOW S=SILVER	W=WHITE R=RED G=GREEN B=BLUE Y=YELLOW	A=2.5mm

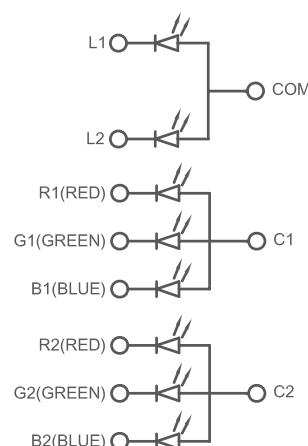
CAP Symbol:Please refer to cap selection for all available symbols on cap surface,and any customization is welcomed

SCHEMATIC

SWITCH

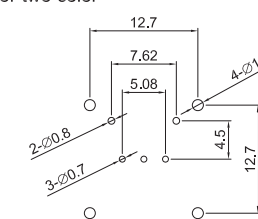


LED

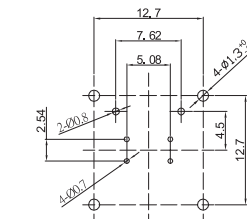


P. C. B LAYOUT

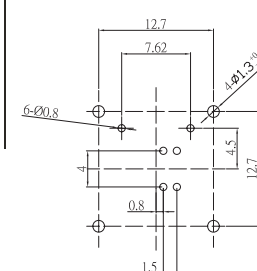
Single color or two color



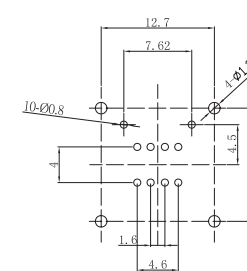
RGB TYPE1



RGB TYPE2

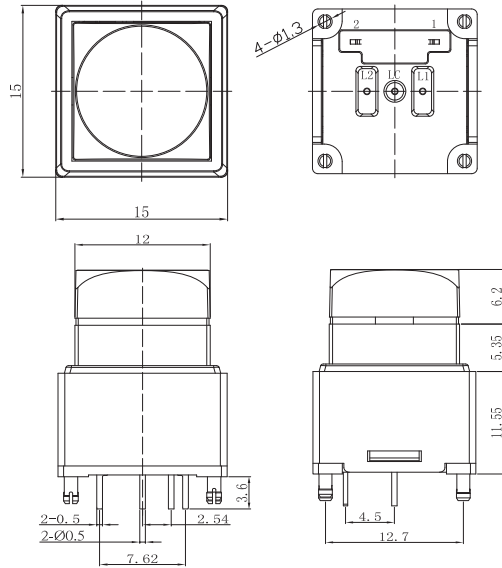


RGB+RGB TYPE

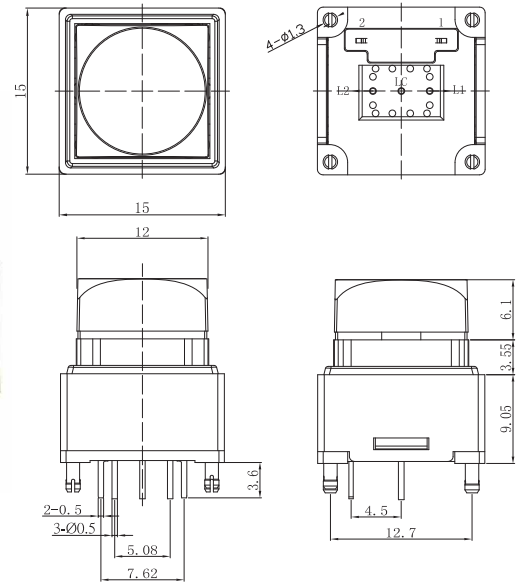


For the specification about the other LED colors ,Please contact with sales department.

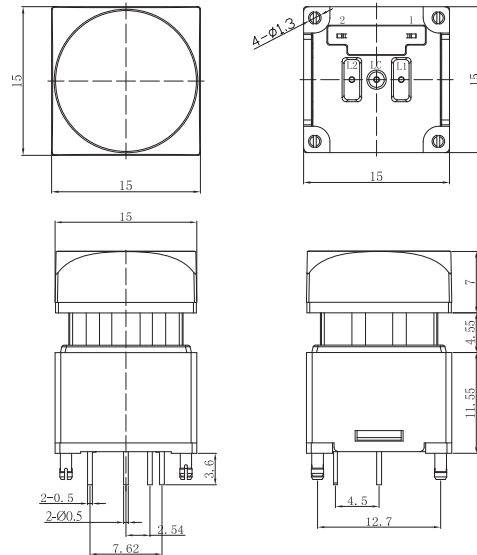
PLC-N1TYN-ATW



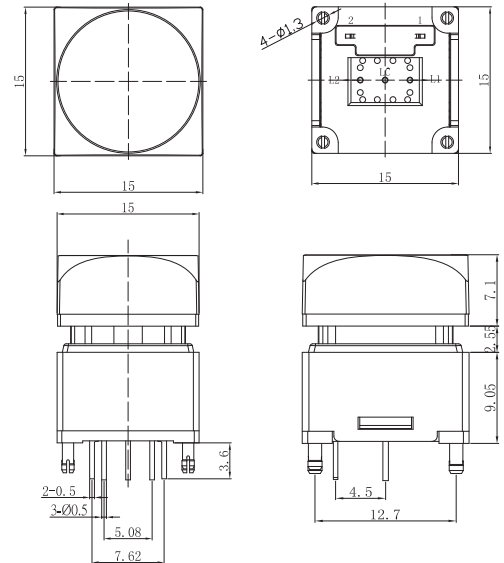
PLC-N1TRG-ATW-A



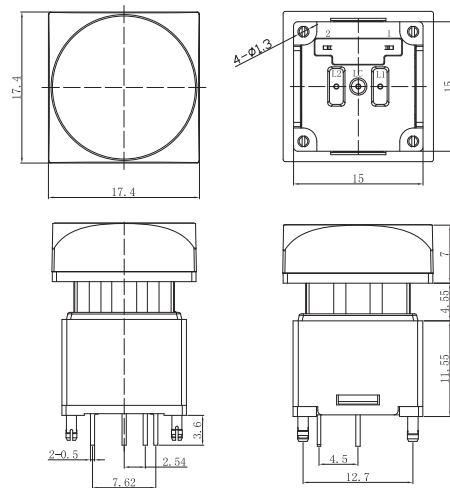
PLC-N1TRN-BTW



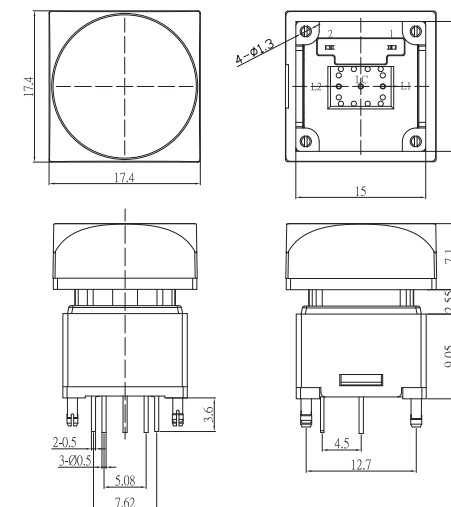
PLC-N1TGR-BTW-A



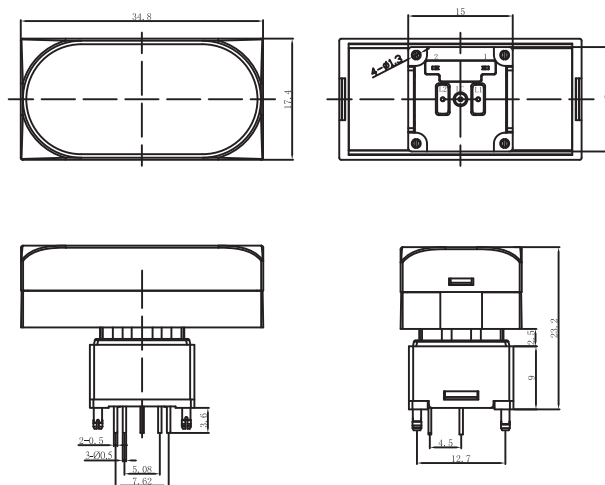
PLC-N1TYN-CTW



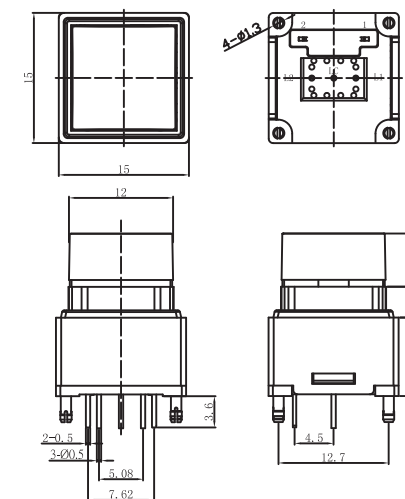
PLC-N1TGR-CTW-A



PLC-N1TGR-D1TW-A

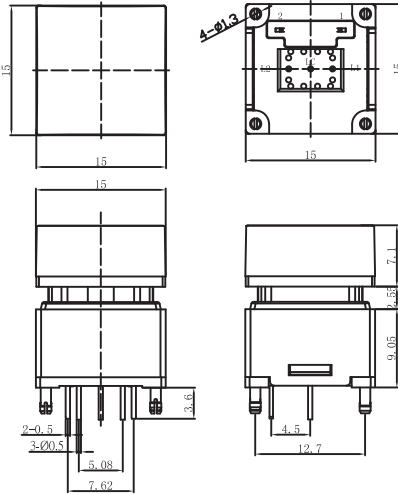


PLC-N1TBN-A1TW-A

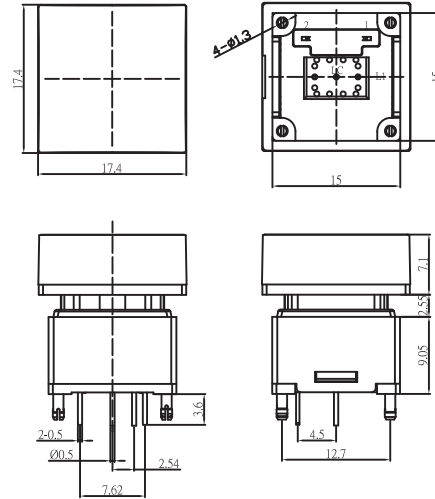




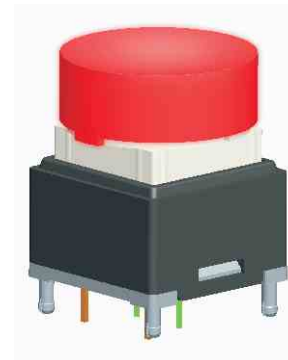
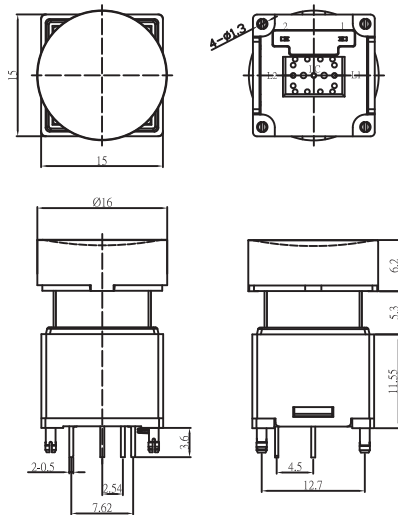
PLC-N1TRN-B1TW-A



PLC-N1TGN-C1TW-A



PLC-N1TBN-RATW



PLC-N1TRN-RATW-A

