



## 聰明換蓋、經典延伸 Changing Cap Available

### Features:

- Clear actuation feeling.
- Many LED color options are available.
- Momentary and Alternate available.
- Positive tactile response.
- RGB color options are available.
- Long life cycles.

### Applications:

- Audio/Video products.
- Communication equipment.
- Broadcast system, Instrumentation, telecommunications...etc.

绝佳顿感，滑顺均匀

Tactile or non-tactile feel, perfectly poise



镀金接点,稳定耐用

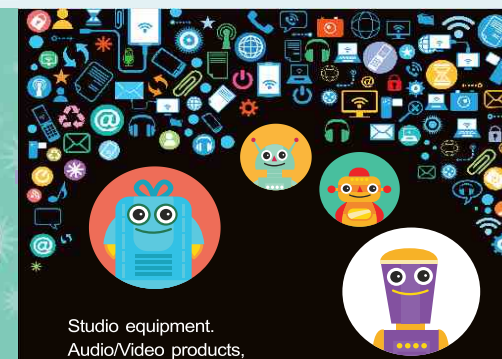
Gold plated pins,  
more stable and durable



LED照光颜色多变，耐久鲜明



Various and durable LED colors



Studio equipment.  
Audio/Video products,  
Broadcast system,  
Instrumentation,  
Telecommunications ...etc.

音响、影像等录音室器材设备、广播系统、  
电信仪器设备

## General Specifications (产品规格)

Function: Momentary or Alternate
Contact Rating: Gold, 0.4A Max. @ 28V (AC or DC)
Silver, 0.5A @ 25V DC; 0.2A @ 250V AC
Contact Resistance: 50mΩ silver, 100mΩ gold (initial max)
Insulation Resistance: 100MΩ @ 500V DC
Dielectric Strength: Breakdown is not allowable; 500V AC for 1 minute
Actuation Force: 200 ± 100 gf SPDT
300 ± 150 gf DPDT
Total Travel: 2.2mm ± 0.2mm
Life Expectancy (Mechanical): 1,000,000 cycles
Life Expectancy (Electrical): 200,000 cycles silver
200,000 cycles gold
Operating Temperature: -20° C to 70° C

## Material: (产品材质)

Cover: Polycarbonate(PC)
Actuator: Polyoxymethylene(POM)
Base frame: Polyamide(PA)+GF
Terminal: Brass with gold plating

## LED Specifications:

Color	V		Recommended Operating Current	VF	
				Nom	Max
Red	DC 5V	20mA	20mA	1.7V	2.4V
Green	DC 5V	20mA	20mA	1.9V	2.4V
Yellow	DC 5V	20mA	20mA	1.9V	2.4V
Blue	DC 5V	20mA	20mA	3.0V	3.6V
White	DC 5V	20mA	20mA	3.0V	3.6V

## HOW TO ORDER

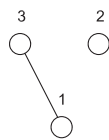
SERIES	OPERATION	POLE	TERMINAL	LED COLOR	LED COLOR	FRAME TYPE	CAP COLOR	DIFFUSER COLOR	CAP SYMBOL
PLB	N	1	P	N	R	A	T	W	P5
	N=NON-LOCK L=LOCK TYPE	1=1 POLE 2=2 POLE	P=P.C.B TYPE W=WIRE TYPE	B=BLUE G=GREEN R=RED Y=YELLOW F=FULL COLOR N=NONE	B=BLUE G=GREEN R=RED Y=YELLOW F=FULL COLOR N=NONE	A=A TYPE A1=A1 TYPE B=B TYPE C=C TYPE D=D TYPE E=E TYPE F=F TYPE F1=F1 TYPE	T=TRANSPARENT R=RED G=GREEN B=BLUE Y=YELLOW S=SILVER	W=WHITE R=RED G=GREEN B=BLUE Y=YELLOW	

CAP Symbol: Please refer to cap selection for all available symbols on cap surface, and any customization is welcomed

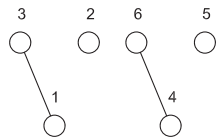
## SCHEMATIC

### SWITCH

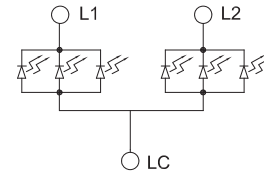
1P2T



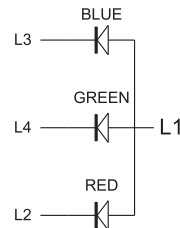
2P2T



### LED



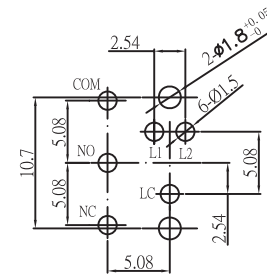
### SW CIRCUIT



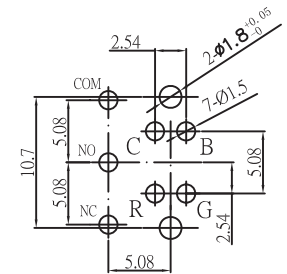
For the specification about the other LED colors, Please contact with sales department.

## LED CIRCUIT

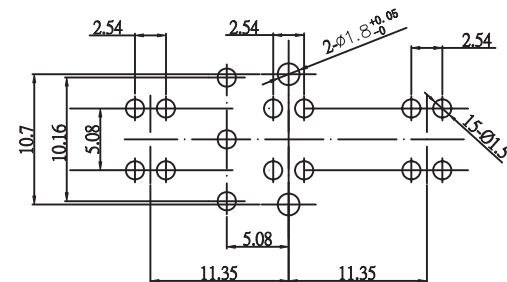
### SINGLE & DOUBLE COLOR



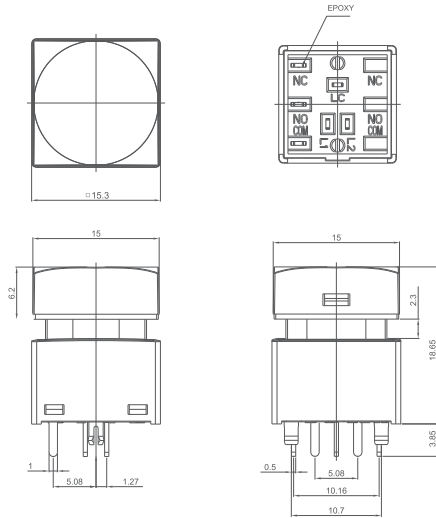
### RGB1



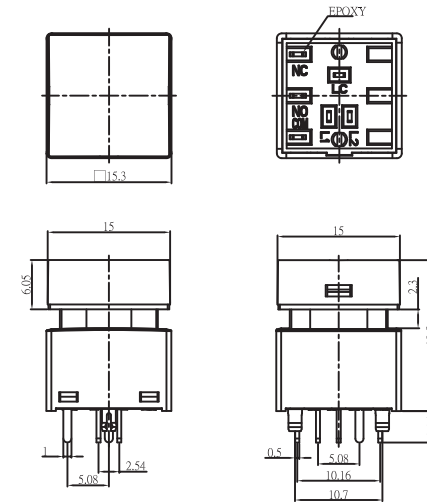
### RGB2



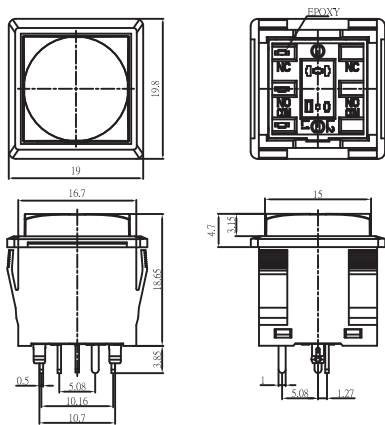
**PLB-N1PNR-ATW ::**



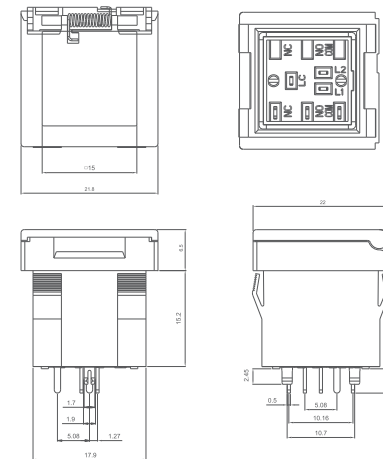
**PLB-N1PNG-A1TW ::**



**PLB-N1PNR-ATW-P1KN ::**



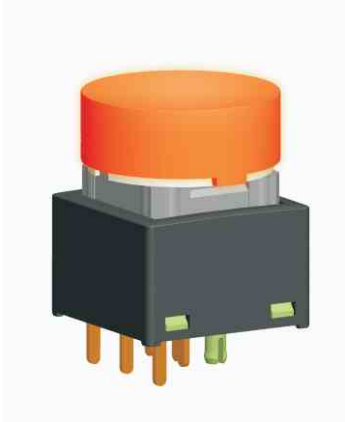
**PLB-N1PRG-ATW-PKT ::**



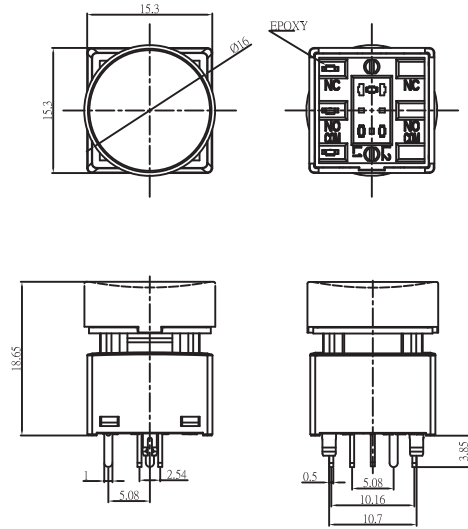


# PLB

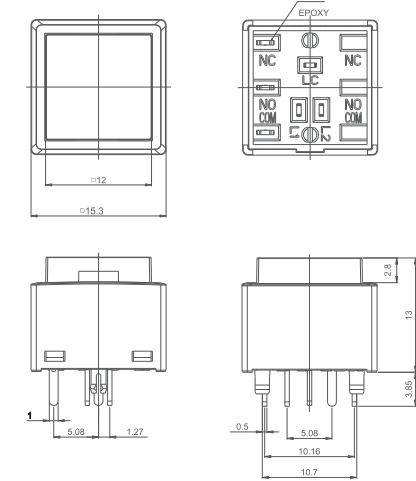
LED ILLUMINATED PUSH BUTTON SWITCH



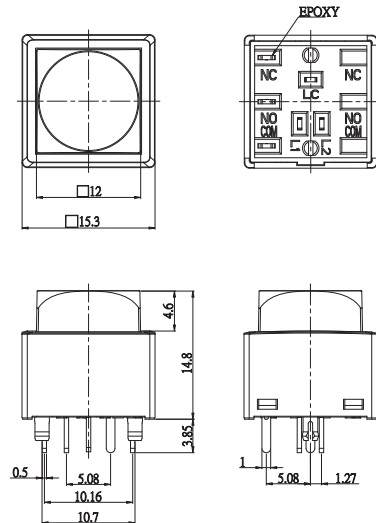
## PLB-N1PRG-RA1TW ::



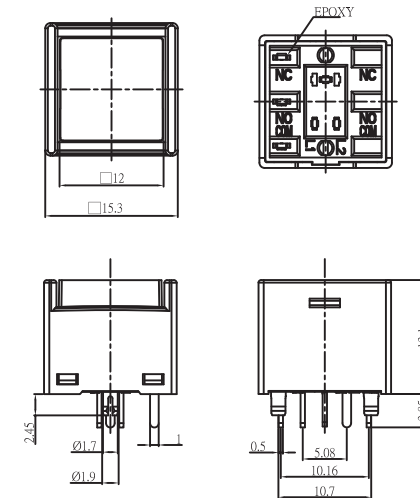
## PLB-N1PNB-BTW ::



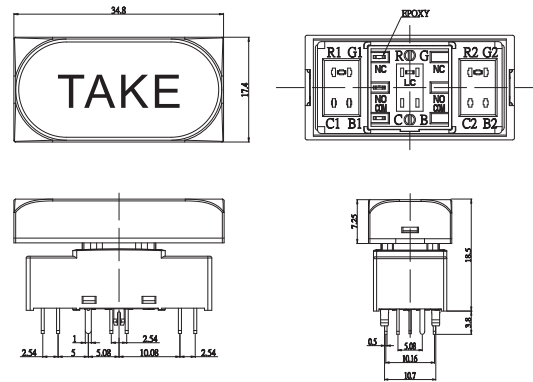
## PLB-N1PRB-B1TW ::



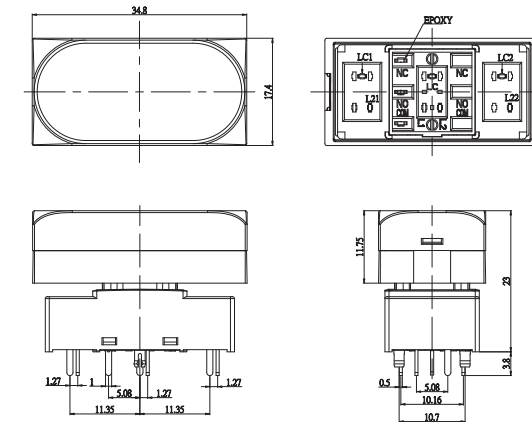
## PLB-N1PRG-B2TW ::



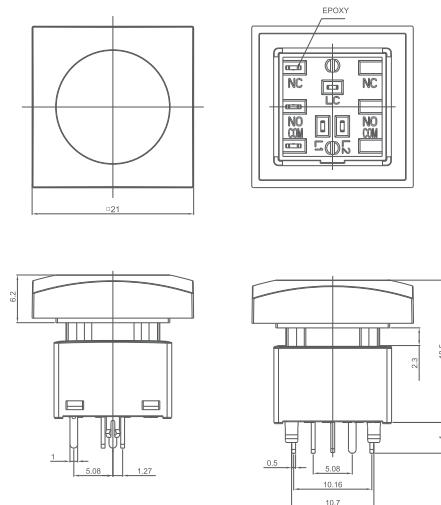
### PLB-N1PRGB-DTW ::



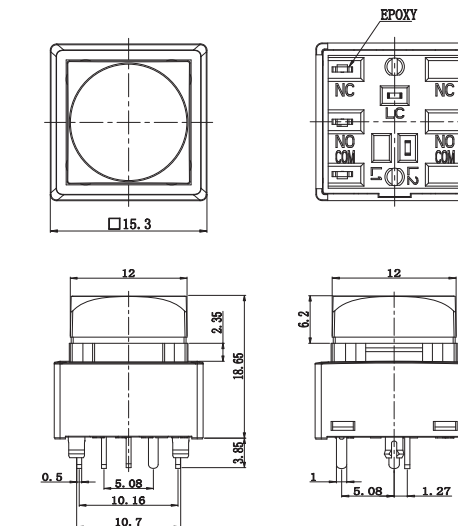
### PLB-N1PNG-D1TW ::



### PLB-N1PNG-ETW ::



### PLB-N1PNR-FTW ::



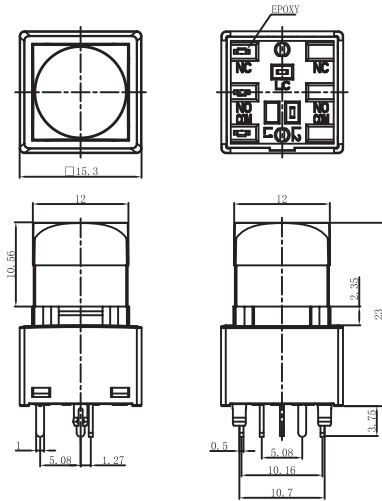




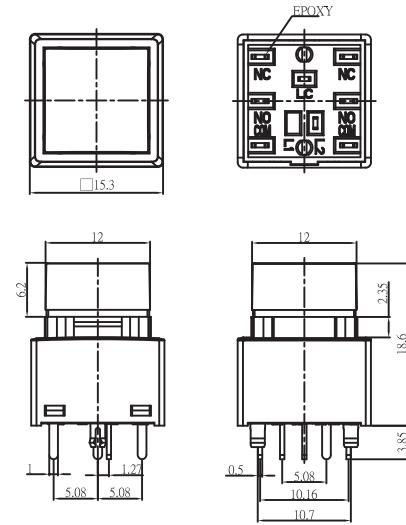
# PLB

LED ILLUMINATED PUSH BUTTON SWITCH

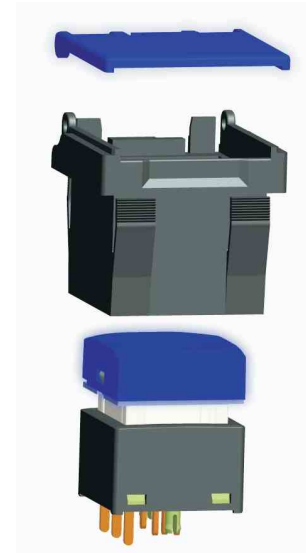
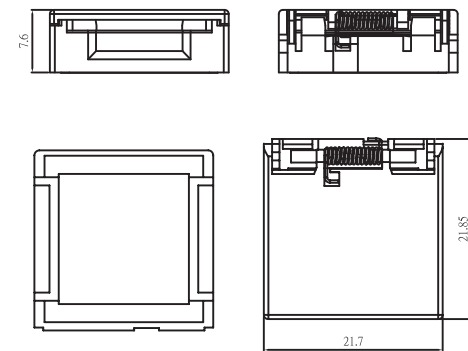
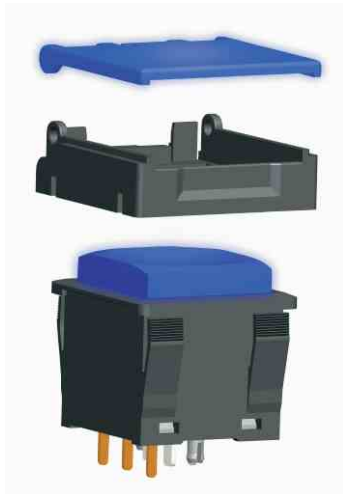
## PLB-N1PNR-FTW-A ::



## PLB-N2PNG-F1TW ::



## PLB-P1KT ::



## PLB-PKT ::

