



Features:

Long electrical life cycles.
Choice of multiple colored caps.
Choice of painted colored caps.
Laser marking service.
Available for Push button with LCD display.

产品特点:

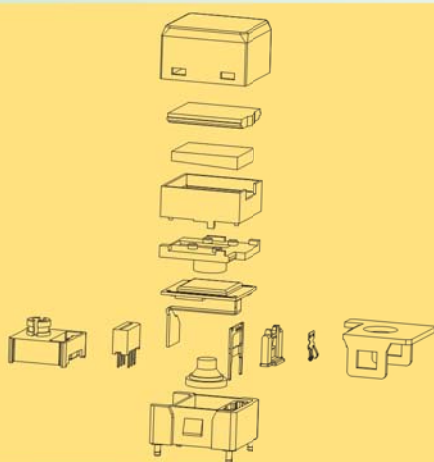
提供带触感型及无触感型两种选择
超高亮RGB背光源,耐久鲜明
LCD液晶屏,显示模式自定义
超长距离,高信耐接触,无杂讯

Applications

Studio equipment.
Audio/Video products.
Broadcast system.
Instrumentation.
Telecommunications...etc.

使用范围

音响、影像等录音室器材设备
广播系统、电信仪器设备。



超长距离，高信耐接触，无杂讯
Long distance connection,
high contact resistance, no noise

绝佳顿感，滑顺均匀
Tactile or non-tactile feel, perfectly poised



无杂讯



Studio equipment.
Audio/Video products,
Broadcast system,
Instrumentation,
Telecommunications ...etc.
音响、影像等录音室器材设备、广播系统、
电信仪器设备

General Specifications: (产品规格)

CONTACT RATING: 12 V DC,0.1A.
CONTACT RESISTANCE:200 mΩ MAX.(Initial).
INSULATION RESISTANCE: 100MΩ MIN (DC 250V).
WITHSTAND VOLTAGE: AC 125 V /1 MINUTE.
OPERATING TEMPERATURE: -25 C~70C.
OPERATING FORCE: 180±50 gf.
FULL TRAVEL: 1.8±0.3mm .
LIFE CYCLE:1,000,000 CYCLES.
64(horizontal)X32(vertical) Pixel format.

Material: (产品材质)

Cover:Polycarbonate (PC)
Actuator:Polyoxymethylene (POM)
Base Frame:Polyamide (PA) +GF
Terminal:Brass with silver plating
Moving Contact:Phosphor Bronze with gold plating
Display: LCD

Terminal's Configuration

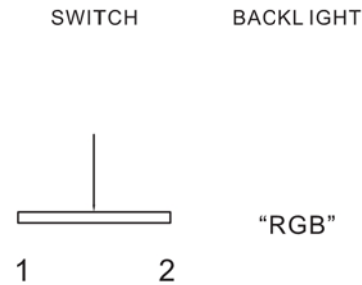
PIN 1	Switch Terminal	PIN 2	Switch Terminal
PIN 3	GND[Gorund]	PIN 4	VDD[Power]
PIN 5	SD0[Data Out]	PIN 6	SDI[Data In]
PIN 7	SCK[Serial Clock]	PIN 8	\overline{SS} [Slave Select]

HOW TO ORDER

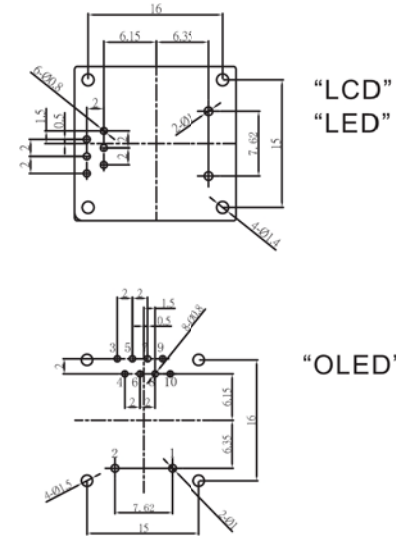
SERIES	OPERATION	POLE	TERMINAL	BACKLIGHT	DISPLAY	FRAME TYPE	CAP COLOR	PLATE COLOR
DSP	N	1	T	F	D	A	T	W
	N=NON-LOCK	1=1 POLE	T=TACTILE TYPE N=NON TACTILE X=NON OPERATION	R=RED G=GREEN B=BLUE Y=YELLOW W=WHITE F=FULL COLOR N=NONE	D=DISPLAY[LCD] L=DISPLAY[LED] O=DISPLAY[OLED] N=NONE	A=A TYPE B=B TYPE C=C TYPE D=D TYPE	T=TRANSPARENT R=RED G=GREEN B=BLUE Y=YELLOW S=SILVER N=NONE	W=WHITE R=RED G=GREEN B=BLUE Y=YELLOW N=NONE (LCD TYPE) F=FILM PLATE

CAP Symbol:Please refer to cap selection for all available symbols on cap surface,and any customization is welcomed

SCHEMATIC



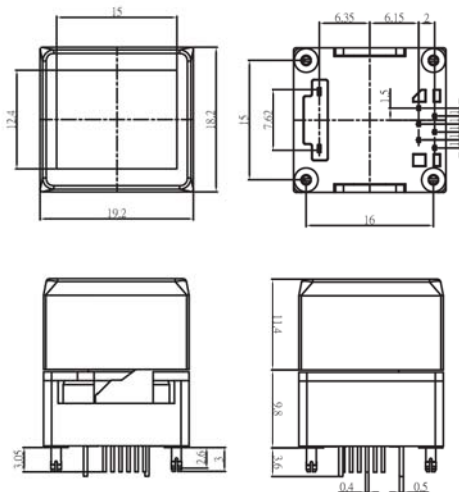
P. C. B LAYOUT



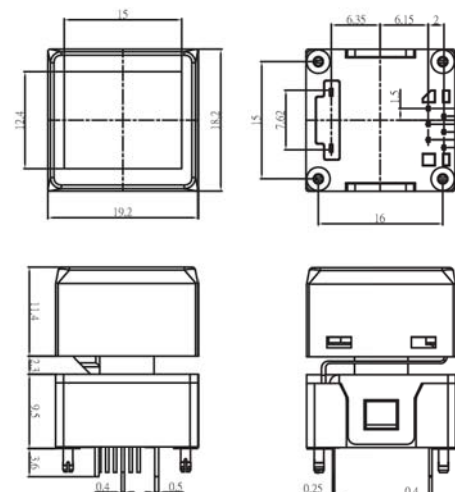
DISPLAY MODE

INTERFACE
"LCD"
"LED"
"SPI"
"LCD"
"OLED"

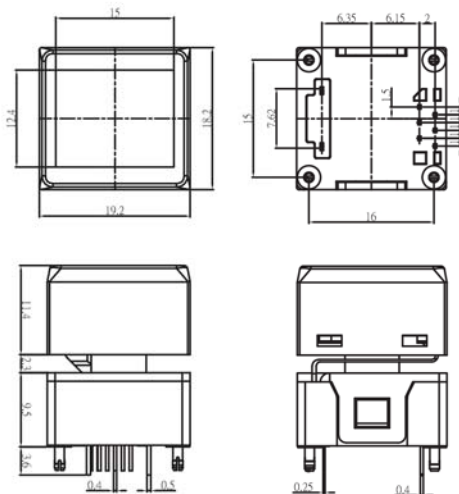
DSP-N1XFD-ATN



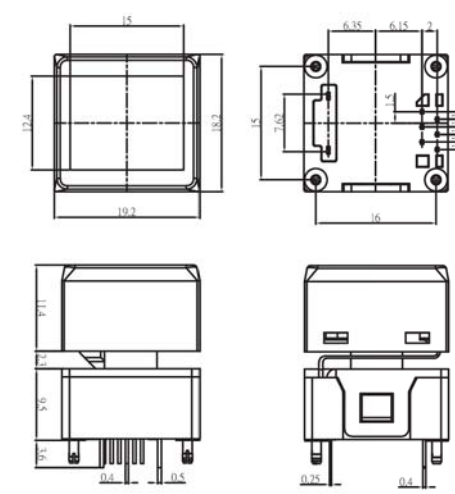
DSP-N1TFD-ATN



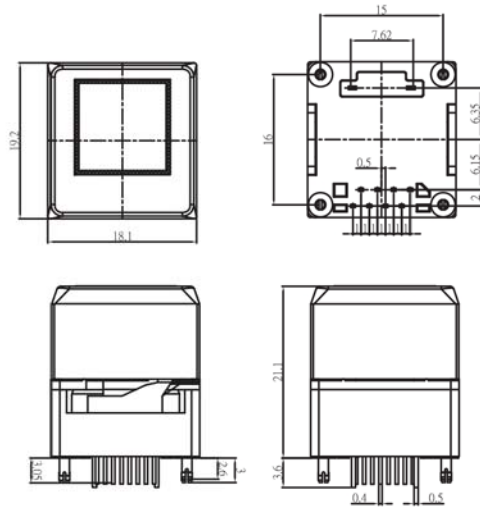
DSP-N1NFD-ATN



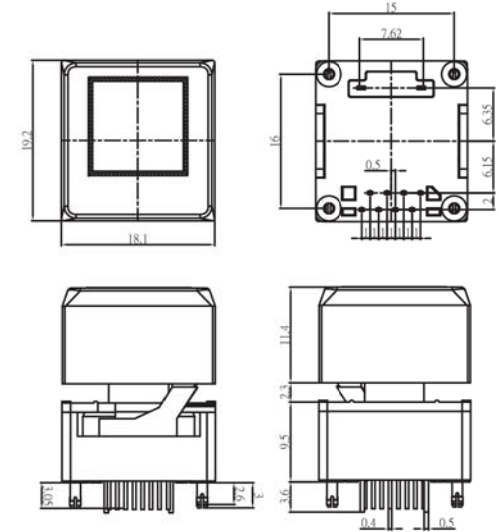
DSP-N1TFL-ATW



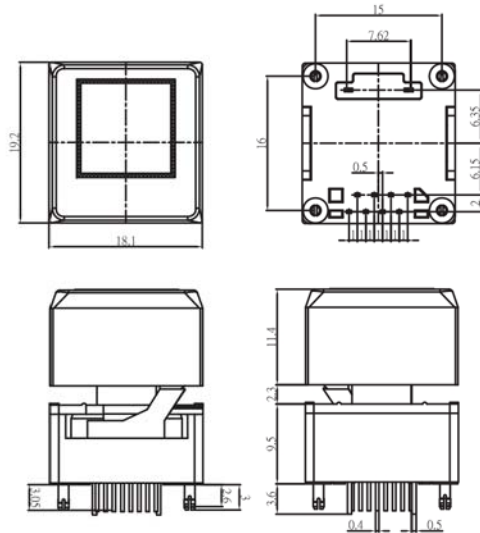
DSP-N1XFO-CKTF



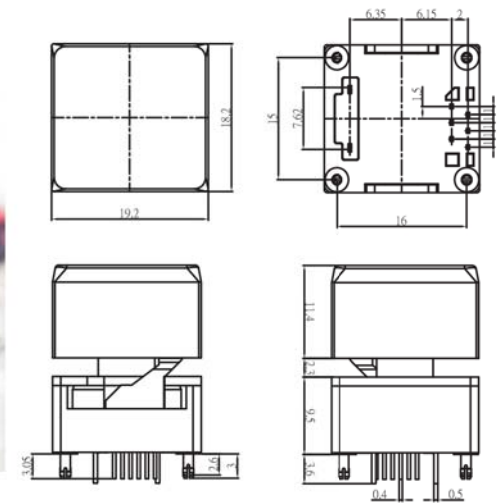
DSP-N1TFO-CKTF



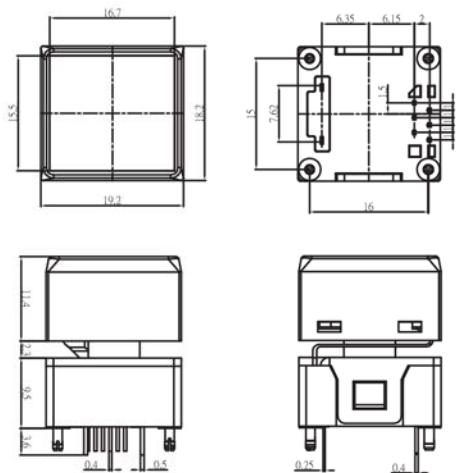
DSP-N1NFO-CKTF



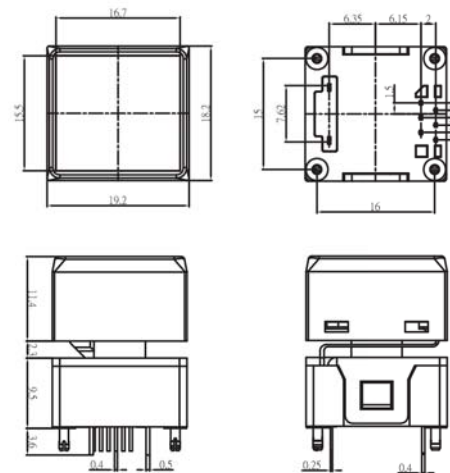
DSP-N1TFL-CKTW



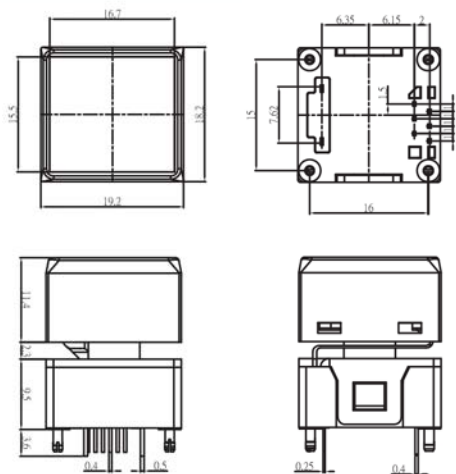
DSP-N1TFL-BTW



DSP-N1NFL-BTW



DSP-N1TFL-BTW



DSP-N1NFL-BTW

